

For more **attraction** and **heavier duty** than you have ever been offered!

For maximum performance: Axial Pole Drum Magnets provided with mega windings made of anodized aluminum strip for maximum heat dissipation and low current density for minimum heat build-up.



For maximum mechanical robustness: All mechanical parts are abundantly sized and designed for locking into each other through maximum contact sections. Main shaft is made of a single machined billet (no weld).



Supplied with:

- counter weight for easy positioning of master polarities
- double manganese steel shells, 2 x 0.32" (2 x 8 mm) thick

Complete assembly drive including sprockets, gear motor and chain upon request.

In addition to the Mega Drum Magnet (MDM), SGM can also offer its standard line of Axial Two Pole Magnets type TMR. Attraction performance of the TMR will still match the highest standards available on the market.

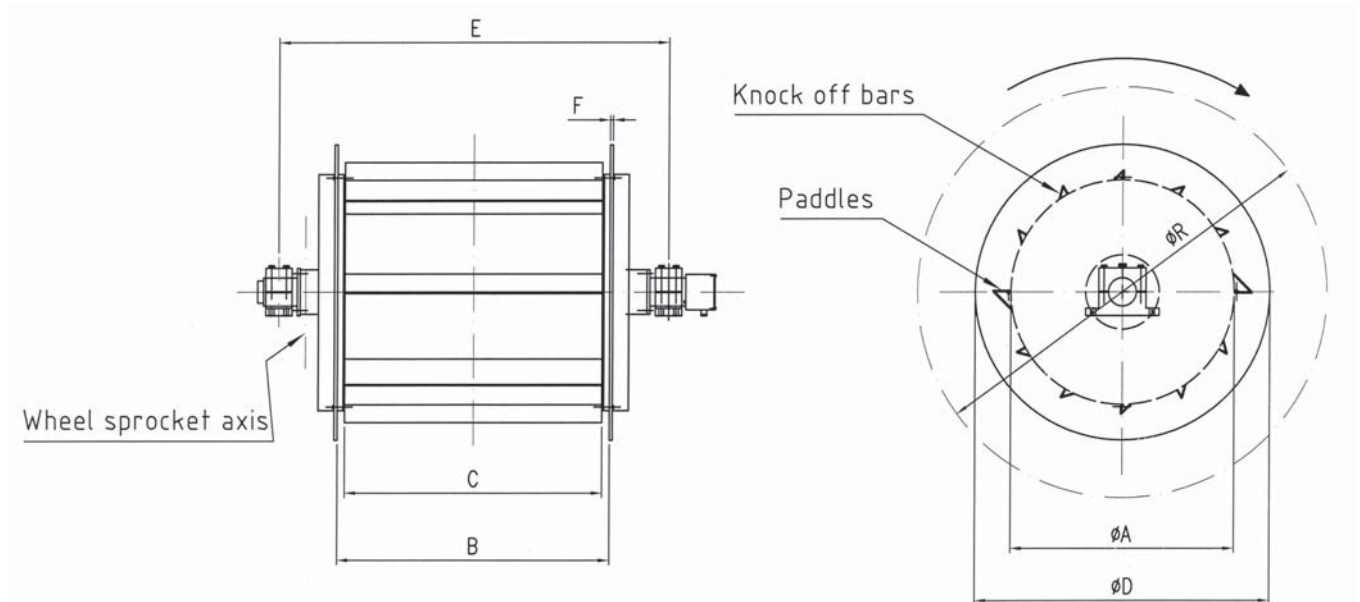
SGM Gantry SpA
via Leno 2/D, PO Box 36
25025 Manerbio (BS) Italy
+39 030 9938400

sgminfo@sgm-magnetics.com
www.sgmmagnetics.com



TECHNICAL SPECIFICATIONS

Mega Drum Magnet Axial Pole Type MDM



As a standard, drums are supplied with two 115 mm paddles and ten 64 mm knock-off bars

Model	Magnet weight [kg]	Magnet power (kW)	Working distance (*)	Motor capacity required (HP)	Speed (rpm)	No. knock-off bars H=64mm	No. of paddles H=115mm	approx. dimensions						R (**)
								A	B	C	D	E	F	
MDM 130/150	7.900	11.5	250-300mm	10	22	10	2	1300	1500	1400	1700	2270	15	2160
MDM 130/180	9.000	13	250-300mm	10	22	10	2	1300	1800	1700	1700	2570	15	2160
MDM 130/210	10.500	14.5	250-300mm	15	22	10	2	1300	2100	2000	1700	2870	15	2160
MDM 150/180	12.000	11.5	300-350mm	15	18	10	2	1500	1800	1700	2000	2600	20	2560
MDM 150/210	15.000	16	300-350mm	20	18	10	2	1500	2100	2000	2000	2900	20	2560
MDM 150/250	17.000	16	300-350mm	20	18	10	2	1500	2500	2400	2000	3200	20	2560
MDM 180/210	16.200	16	350-400mm	25	16	10	2	1800	2100	2000	2250	2900	20	2950
MDM 180/250	19.850	19	350-400mm	25	16	10	2	1800	2500	2400	2250	3300	20	2950
MDM 180/280	20.300	20	350-400mm	30	16	10	2	1800	2800	2700	2250	3600	20	2950

(*) Greater if drum is fed by belt rather than table feeder, depending on belt speed.

(**) Area of non-magnetic parts of construction.

Control panel for the drum magnets provided with voltage regulation.